

MEGAFLOW

PRODUCT INFO



MEGAFLOW™

TROUGH VALVE

Description

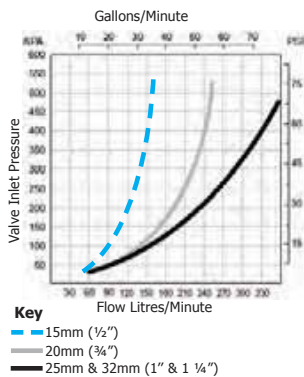
Megaflow trough valves are float operated valves for use in automatic filling of water troughs. The valve is configured for **underwater mounting only**. The float is connected to the valve with a nylon cord, this operates a pilot valve, when the water level drops, the pilot valve is opened and the main diaphragm valve is activated. Megaflow is a good choice where its **high flow**, compact, robust, non corrosive construction is beneficial.

Applications

Maintaining water levels in:

- Animal drinking troughs
- Water storage tanks

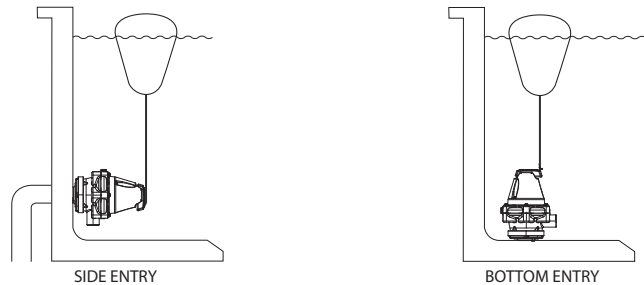
Flow Graph




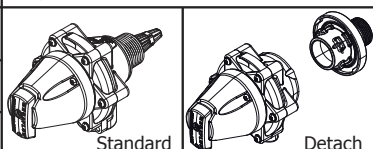
Features

- High flow
- Compact robust construction
- 20-60mm (3/4" - 2 1/2") water level differential (increases as water pressure increases)
- Positive on/off operation
- Lock off with cord lock
- 0.3 - 10 bar (5 - 150 P.S.I.) pressure rating
- Inlet filter
- Constructed from corrosion resistant materials
- Under water installation helps avoid freezing
- Valve is less prone to stock damage

Mounting Positions



Options

	BSP				NPT				 Specifies this Thread size
	1/2"	3/4"	1"	1 1/4"	1/2"	3/4"	1"	1 1/4"	
STD Base Short Tail		✓	✓	✓		✓	✓		 Standard Detach
Detach Base Short Tail		✓	✓	✓		✓	✓	✓	
Detach Base Long Tail	✓	✓	✓	✓	✓	✓	✓	✓	
Long Tail:	Available only with Detach Base. Supplied with backnut and seal washer. 1/2" Long Tail: 100mm long. 3/4" Long Tail: 38mm long.								

MEGAFLOW TROUGH VALVE SPECIFICATION

PRODUCT	CODE	INLET SIZE	CODE	OPTIONS	CODE
Megaflow Trough Valve	MFV	1/2" bsp/npt	15	Detach Base	D
		3/4" bsp/npt	20	Long Tail Base	LT
		1" bsp	25		
		1" npt	1		
		1 1/4" bsp	32		
		1 1/4" NPT	114		

(e.g) A Megaflow Trough Valve with: 3/4" bsp inlet thread, detach base, long tail thread has the following spec number: MFV 20 D LT

NOTE: If no options are specified the standard ones will be supplied

Note: Before using check that under water mounting is allowed by local regulations.

Note: Product may differ slightly from these specs due to ongoing product development.

200 L / MIN

MEGAFLOW

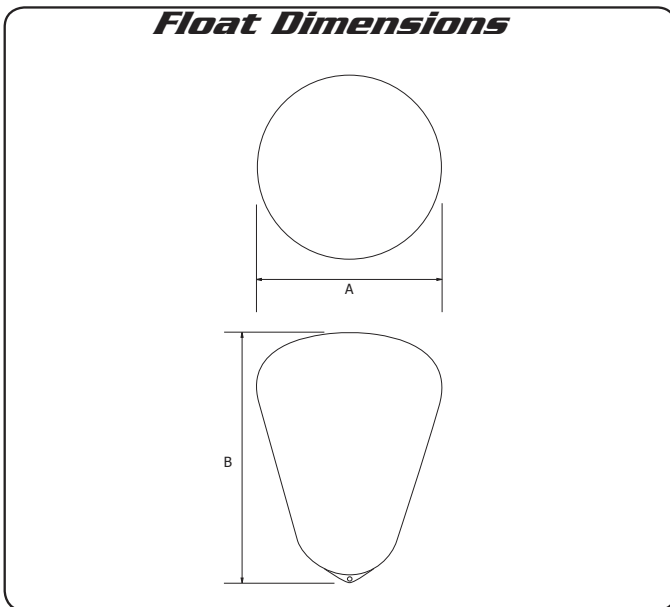
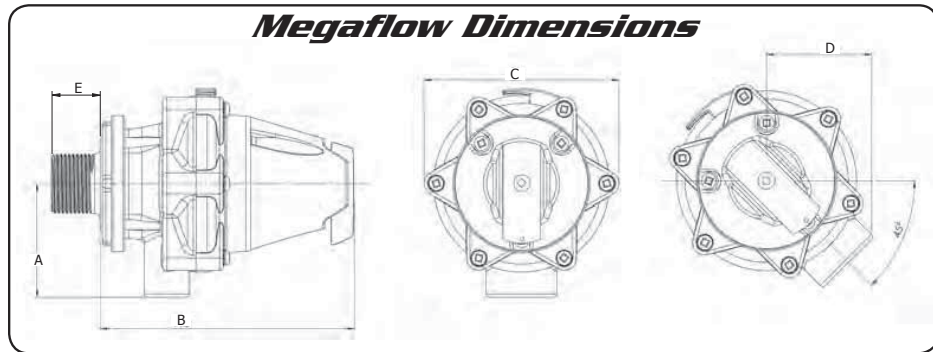
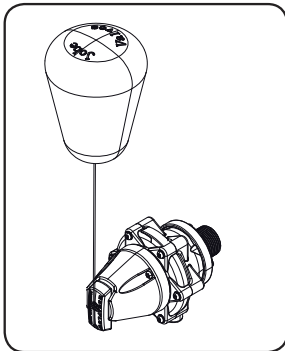
DIMENSIONS & MATERIALS



MEGAFLOW™

TROUGH VALVE

200 L / MIN



Megaflow Dimensions

	mm	inches
A	51	2
B	115	4 1/2
C	88	3 7/16
D	46	1 13/16
E	3/4" Short Tail	7/8
	1" bsp/npt short tail	7/8
	1 1/4" bsp/npt short tail	1
	1/2" Long Tail	4
	3/4" long tail	1 1/2
	1" bsp/npt long tail	2 1/8
	1 1/4" bsp/npt long tail	2 3/8

Float Dimensions

	mm	inches
A	118	4 5/8
B	168	6 5/8

Maximum Temperature of Operation 45°C, 115°F

Materials

Body	ABS
White Internal Parts	Acetal
Filter	Acetal
Diaphragm	EPDM
Seal	Urethane
Springs, Bolts, Nuts, Pin, Screws	304 Stainless Steel
Detach Seal	Santoprene
O'Rings	Nitrile
Float	HDPE
Seal Washer	LDPE
Float Cord	Polyester

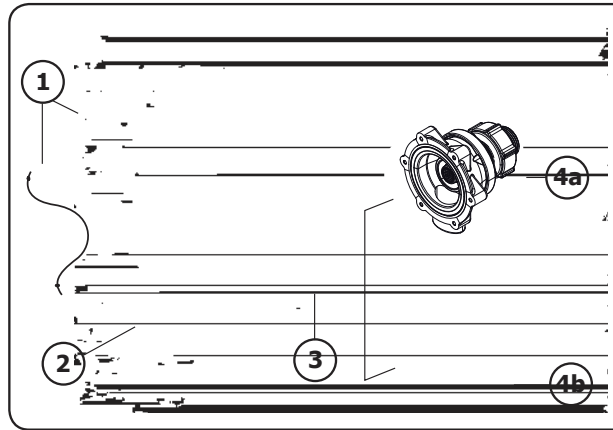
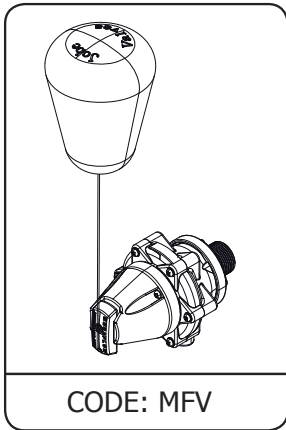
MEGAFLOW

PARTS IDENTIFICATION SHEET

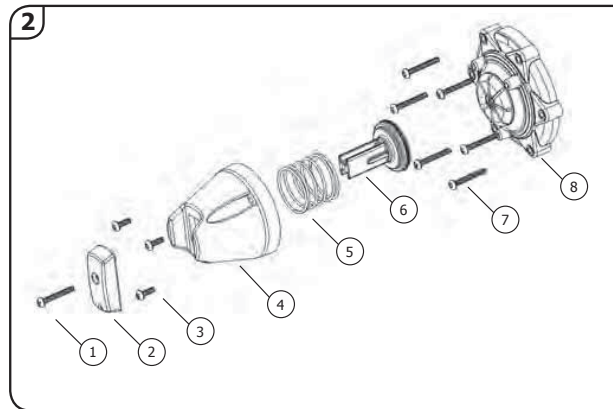
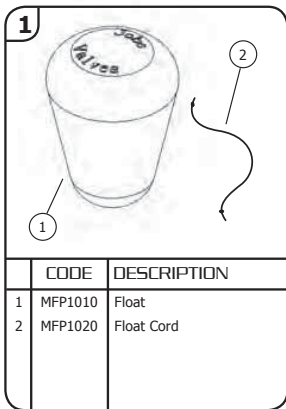


MEGAFLOW™

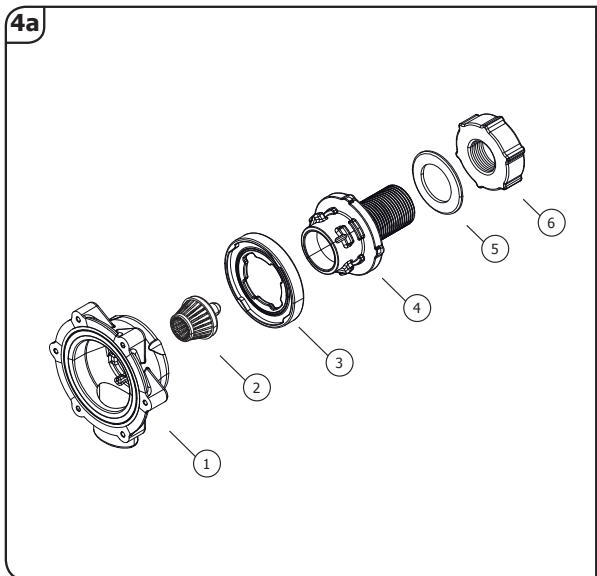
TROUGH VALVE



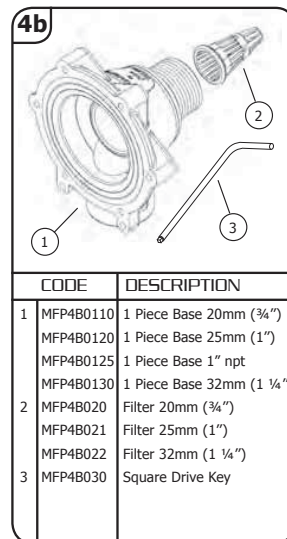
CODE	DESCRIPTION
1	Float Assembly
2 MFP2	Cap & Actuator Assembly
3 MFP3	Diaphragm Assembly
4a	Detach Base Assembly
4b	1 Piece Base Assembly



CODE	DESCRIPTION
1 MFP2050	6g x 25 S/S Screw
2 MFP2041	Two Part Actuator Top
3 MFP2010	6g x 10 S/S Screw
4 MFP2020	Actuator Cap
5 MFP2030	Actuator Spring
6 MFP2042	Two Part Actuator Stem
7 MFP2050	6g x 25 S/S Screw
8 MFP2060	Valve Cap Assembly



CODE	DESCRIPTION
1 MFP4A010	Detach Base
2 MFP4A030	Detach Filter
3 MFP4A020	Detach Seal
4 MFP4A0415	Detach Tail 20mm(3/4") Short
MFP4A0425	Detach Tail 25mm(1") Short
MFP4A0435	Detach Tail 32mm(1 1/4") Short
MFP4A0410	Detach Tail 15mm (1/2") Long
MFP4A0420	Detach Tail 20mm (3/4") Long
MFP4A0431	Detach Tail 25mm (1" bsp) Long
MFP4A0441	Detach Tail 32mm (1 1/4" bsp) Long
MFP4A0430	Detach Tail 1" npt Short
MFP4A0440	Detach Tail 1 1/4" npt Short
MFP4A0432	Detach Tail 1" npt Long
MFP4A0442	Detach Tail 1 1/4" npt Long
5 MFP4A050	Seal Washer 15mm (1/2")
MFP4A051	Seal Washer 20mm (3/4")
MFP4A052	Seal Washer 25mm (1")
MFP4A053	Seal Washer 32mm (1 1/4")
MFP4A054	Backing Washer SS 32mm (1 1/4")
6 MFP4A060	Backnut 15mm (1/2")
MFP4A061	Backnut 20mm (3/4")
MFP4A062	Backnut 25mm (1")
MFP4A063	Backnut 32mm (1 1/4")



200 L / MIN