

# MOUNTING INSTRUCTIONS FOR THE SM-0011-SAA SAFETY ARM ATTACHMENT <sup>(R)</sup>

## FOR HD-8 POST DRIVER WITH MANUAL BASE PLATE:

AFTER MOUNTING THE SM-001 SHORT CHANNEL (STEP 9 IN THE OPERATOR'S MANUAL UNDER ASSEMBLING THE POST DRIVER), BOLT THE SAFETY ARM ATTACHMENT TO 2) HOLES THAT ARE NOT IN USE ON THE CARRIAGE MOUNTING PLATE (SEE ILLUSTRATION). USE THE 2) 3/4" X 1-1/4" CAP SCREWS, 2) 3/4" LOCKWASHERS AND 2) 3/4" LOCKNUTS PROVIDED. ONCE ARM ATTACHMENT IS BOLTED SECURELY, CLOSE OVER THE DRIVING RAM.

## FOR HD-8-H POST DRIVER WITH HYDRAULIC BASE PLATE:

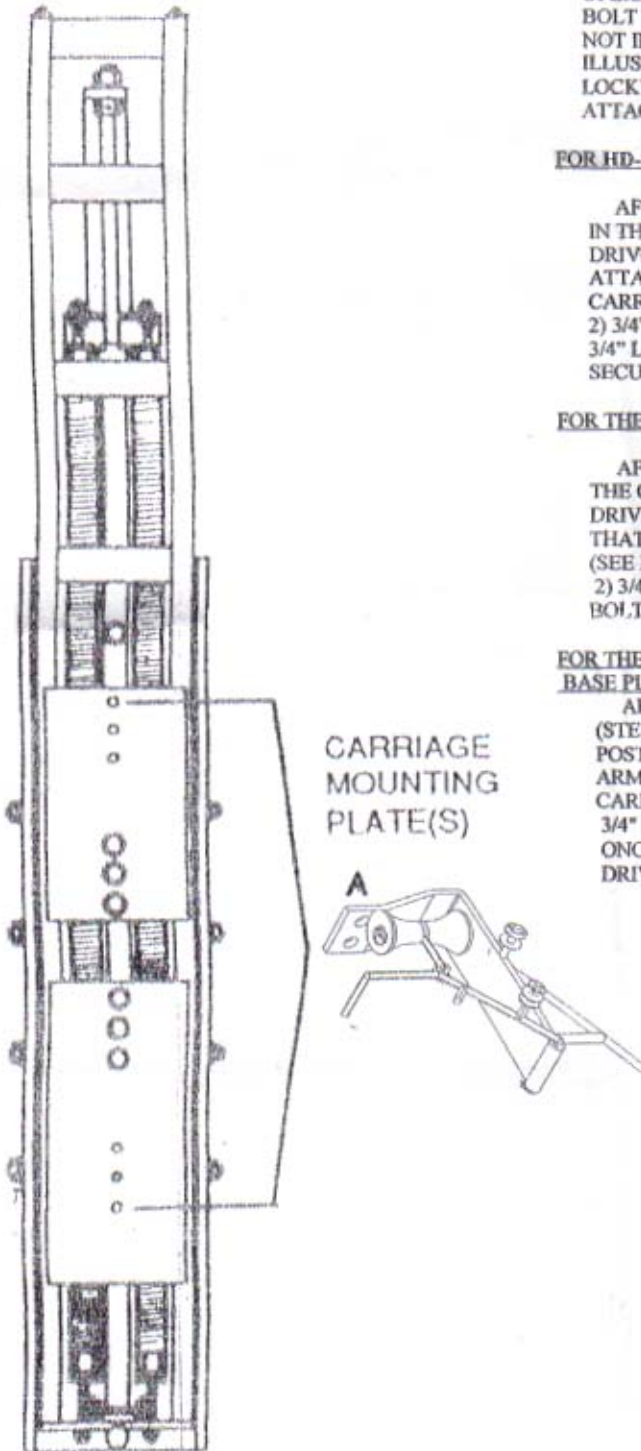
AFTER MOUNTING THE HBP-909 SHORT CHANNEL (STEP 16 IN THE OPERATOR'S MANUAL UNDER ASSEMBLING THE POST DRIVER WITH HYD. BASE PLATE), BOLT THE SAFETY ARM ATTACHMENT TO 2) HOLES THAT ARE NOT IN USE ON THE CARRIAGE MOUNTING PLATE (SEE ILLUSTRATION). USE THE 2) 3/4" X 1-1/4" CAP SCREWS, 2) 3/4" LOCKWASHERS, AND 2) 3/4" LOCKNUTS PROVIDED. ONCE ARM ATTACHMENT IS BOLTED SECURELY, CLOSE OVER THE DRIVING RAM.

## FOR THE HD-10 POST DRIVER WITH MANUAL BASE PLATE:

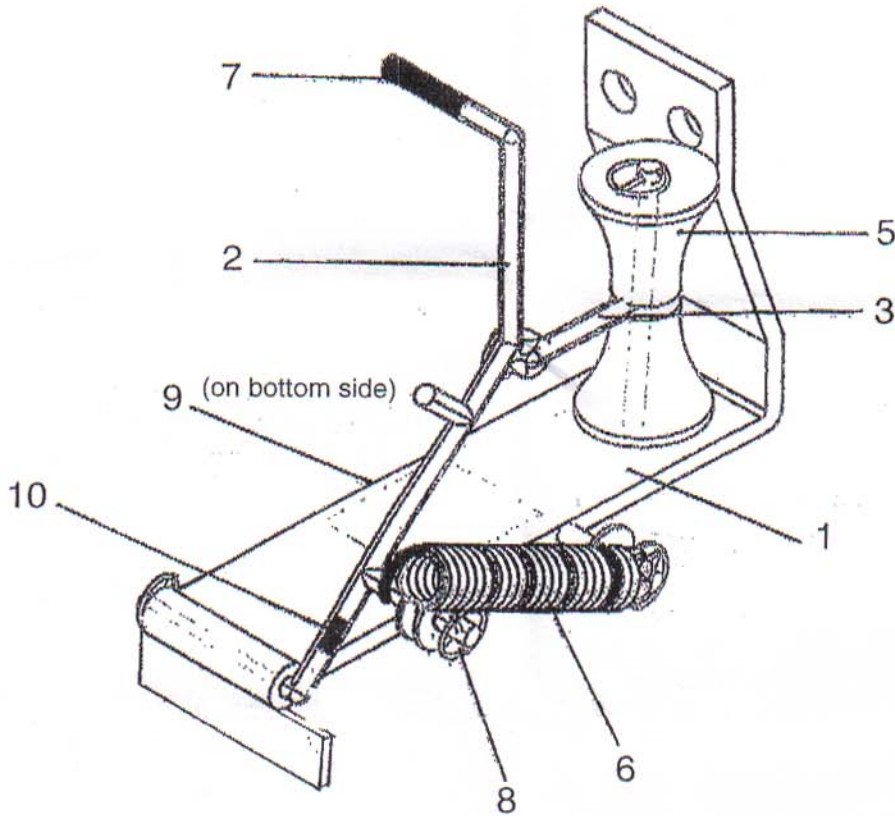
AFTER MOUNTING THE SM-101 SHORT CHANNEL (STEP 9 IN THE OPERATOR'S MANUAL UNDER ASSEMBLING THE POST DRIVER), BOLT THE SAFETY ARM ATTACHMENT TO 2) HOLES THAT ARE NOT IN USE ON THE CARRIAGE MOUNTING PLATE (SEE ILLUSTRATION). USE THE 2) 3/4" X 1-1/4" CAP SCREW AND 2) 3/4" LOCKWASHERS PROVIDED. ONCE ARM ATTACHMENT IS BOLTED SECURELY, CLOSE OVER THE DRIVING RAM.

## FOR THE HD-10-H OR HD-12-H POST DRIVER WITH HYDRAULIC BASE PLATE:

AFTER MOUNTING THE HBP-909 OR HBP-9129 SHORT CHANNEL (STEP 16 IN THE OPERATOR'S MANUAL UNDER ASSEMBLING THE POST DRIVER WITH HYDRAULIC BASE PLATE), BOLT THE SAFETY ARM ATTACHMENT TO 2) HOLES THAT ARE NOT IN USE ON THE CARRIAGE MOUNTING PLATE (SEE ILLUSTRATION). USE THE 2) 3/4" X 1-1/4" CAP SCREW AND 2) 3/4" LOCKWASHERS PROVIDED. ONCE ARM ATTACHMENT IS BOLTED SECURELY, CLOSE OVER THE DRIVING RAM.



# SM-0011-SAA SAFETY ARM ATTACHMENT PARTS BREAKDOWN



1. SM-0011-SAAC Safety Arm Frame Only
2. SM-0011-SAAD Swing Arm Handle Only
3. SM-0011-SAA13C Roller Holder Complete
4. SM-0011-SAA7 Spring Stop (3/4" Washer)
5. SM-0011-SAA16 Roller (2 per Unit)
6. SM-0011-SAA2 Latch Spring
7. SM-0015-CC Crank Cover
8. SM-2025-LP Universal Lynch Pin (5 per Unit)
9. MS-165 Safety Arm Decal
10. MS-181 Pinch Point Decal